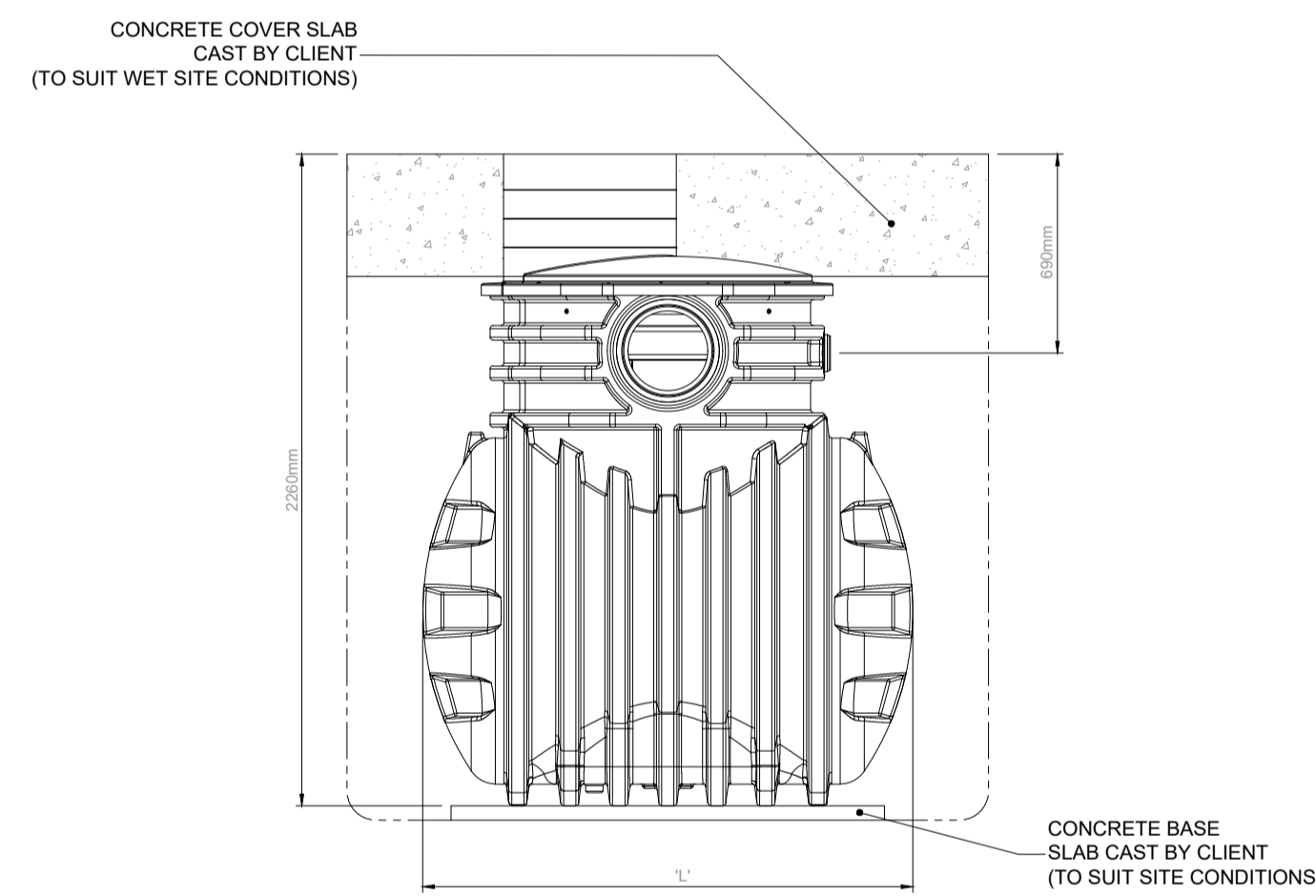


**KLARGESTER CLASS 1 INTERCEPTOR
PLAN VIEW**
OR SIMILAR APPROVED
SCALE 1:25

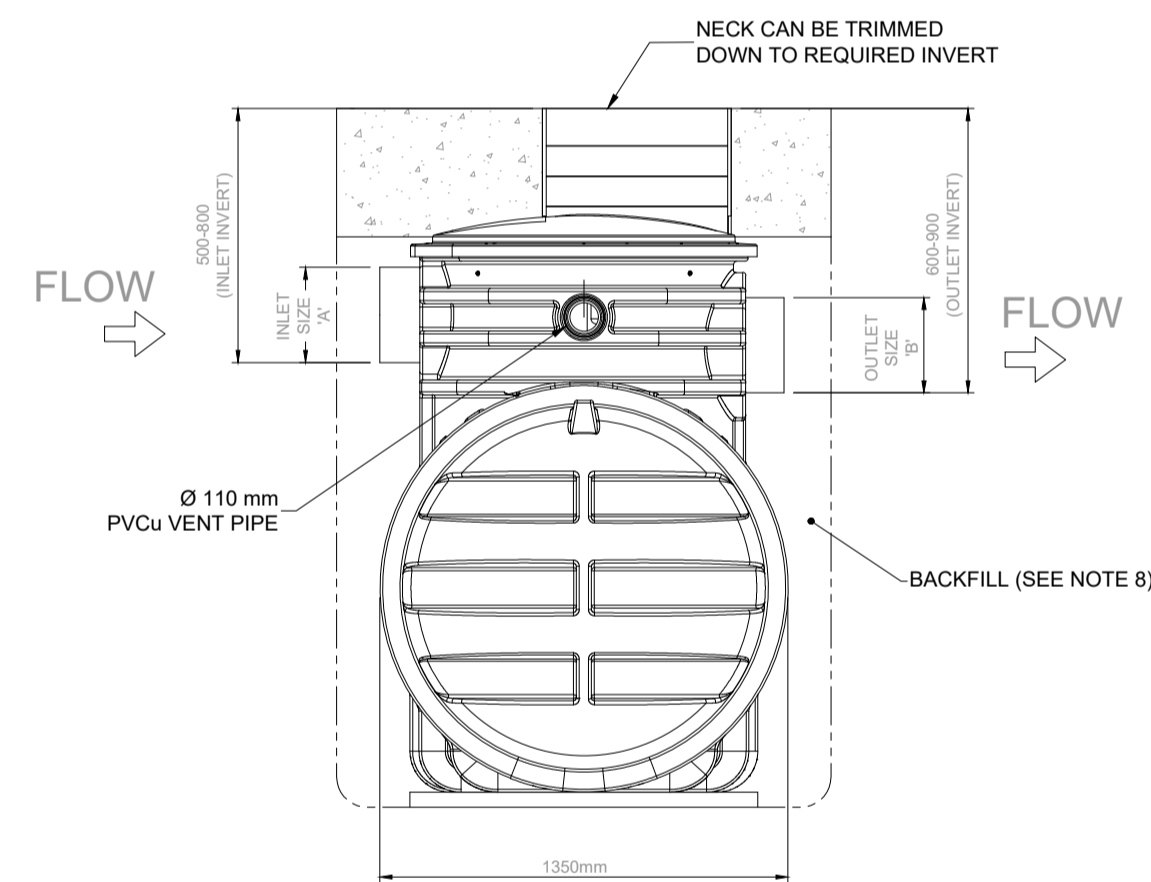
Unit Ref No.	Nominal Flow	Dim L (mm)	Approx Empty Weight (kgs)	Fall across Unit	Inlet Size 'A'	Outlet Size 'B'
NSBP003	3 L/s	1700	180	100	ø160 mm ø315 mm	ø160 mm ø315 mm
NSBP004	4 L/s	1700	180	100		
NSBP006	6 L/s	1700	180	100		

REF. NO.	FLOW (l/s)	DRAINAGE AREA	SILT STORAGE CAPACITY LITRES	OIL STORAGE CAPACITY LITRES	LENGTH (L) (mm)	UNIT DIA. (D) (mm)	MANHOLE COVER (D1) (mm)	BASE TO INVERT (A) (mm)	BASE TO OUTLET (B) (mm)	MIN. INLET INVERT. (E) (mm)	STANDARD PIPEWORK DIA. (C) (mm)	STANDARD FALL ACROSS (mm)
NSFP003	3	1670	300	45	1700	1350	600	1420	1320	500	160	100

TYPICAL SIZE OF KLARGESTER CLASS 1 INTERCEPTOR
(Subject to planning, unit dimensions & surround provided at detailed design stage).



**KLARGESTER CLASS 1 INTERCEPTOR
SECTION B - B**
OR SIMILAR APPROVED
SCALE 1:25



**KLARGESTER CLASS 1 INTERCEPTOR
SECTION A - A**
OR SIMILAR APPROVED
SCALE 1:25

NOTES:

- INLET / OUTLET PIPES ARE PLAIN PIPE Ø315mm PVCu. THE STANDARD EN 858 STATES MINIMUM CONNECTION SIZES. UNITS ORDERED WITH DIFFERENT SIZED CONNECTIONS ARE NOT FULLY COMPLIANT WITH THE STANDARD.
 - EXTENSION NECKS FOR DEEPER INVERTS CAN BE PROVIDED. THESE CAN BE CUT IN 200mm SECTIONS. MAX. 2.0m INVERT RECOMMENDED. PLEASE ASK OUR SALES DEPARTMENT FOR FURTHER DETAILS.
 - ALL UNITS REQUIRE APPROPRIATE COVER AND FRAME TO SUIT APPLIED LOADINGS.
 - THIS DRAWING SHOULD BE USED FOR DIMENSIONAL INFORMATION ONLY. IT IS ESSENTIAL THAT THIS DRAWING IS READ IN CONJUNCTION WITH THE INSTALLATION GUIDELINES SUPPLIED WITH THE UNIT. (COPIES ARE AVAILABLE FROM OUR SALES DEPT.).
 - THIS DRAWING IS ALSO AVAILABLE ON OUR WEBSITE www.kingspanenv.com.
 - A Ø76 mm TUBE (INTERNAL) IS SUPPLIED TO HOUSE AN OIL ALARM PROBE.
 - WET SITE CONDITIONS - CONCRETE BACKFILL
DRY SITE CONDITIONS - PEA SHINGLE BACKFILL
- PLEASE REFER TO INSTALLATION MANUAL FOR DETAILS OF CORRECT BACKFILLING.

NOTES:

- DO NOT SCALE FROM THIS DRAWING USE STATED DIMENSIONS ONLY. IF IN DOUBT CONSULT THE ENGINEER.
- LEVELS REFER TO O.S. DATUM MALIN HEAD.
- PRECAST MANHOLE RINGS, COVER SLABS AND REDUCING SLABS SHALL COMPLY WITH I.S. 420:1989.
- PRECAST MANHOLE RINGS, COVER SLABS AND REDUCING SLABS SHALL BE INSTALLED COMPLETE WITH TYPE 2 RUBBER GASKETS AND JOINTING RINGS WHICH COMPLY WITH B.S. 2494.
- CONCRETE TO MANHOLE BASES AND SURROUNDS SHALL BE GRADE C30. SURROUND SHALL BE A MINIMUM OF 150MM THICK.
- BLINDING CONCRETE SHALL BE GRADE C15 BLINDING SHALL BE A MINIMUM THICKNESS OF 100MM.
- SAND CEMENT RENDER 25MM THICK SHALL BE APPLIED TO THE BENCHING AND CHANNEL WITH A STEEL TROWEL FINISH.
- LADDER RUNGS SHALL BE P.V.C. COATED STEEL FOR MANHOLES WITH A DEPTH TO INVERT GREATER THEN 4.0M USE GRADE 316 STAINLESS STEEL LADDERS.
- DROP PIPE WORK SHALL BE SIZED IN ACCORDANCE WITH TABLE NO. 1. WHERE THE CONNECTION < 1.0M ABOVE INVERT USE RAMP CONNECTION. WHERE CONNECTION IS > 1.0M ABOVE INVERT USE DROP CONNECTION.
- MANHOLE COVERS AND FRAMES SHALL COMPLY WITH I.S. E.N. 124, AND SHALL BE CLASS D400 WITH A CIRCULAR OPENING OF 600MM MINIMUM AND A SQUARE FRAME.
- SUITABLE SHORT LENGTHS OF PIPE OR ROCKER PIPES SHALL BE INSTALLED TO PROVIDE A FLEXIBLE JOINT WITHIN 1000MM OF THE OUTER FACE OF THE MANHOLE ON ALL SEWERS AND BRANCHES.
- SEMI ENGINEERING BRICK SHALL BE GRADE 47NMM2.
- FOR ALL INLETS, OUTLETS AND BRANCHES MATCH CROWN LEVELS UNLESS INDICATED OTHERWISE ELSEWHERE.
- TIDEFLEX VALVES BY REDVALVE USA SHALL BE SUPPLIED BY MYTEC LIMITED OR SIMILAR APPROVED. THE VALVES SHALL BE INSTALLED IN STRICT ACCORDANCE WITH THE MANUFACTURERS INSTRUCTIONS.
- THIS DRAWING SHALL BE READ IN CONJUNCTION WITH THE SPECIFICATION.

PLANNING DRAWING.
NOT FOR CONSTRUCTION.
ALL LEVELS GIVEN ARE
RELATIVE TO ORDNANCE DATUM.
THIS DRAWING HAS BEEN ISSUED FOR INFORMATION
PURPOSES ONLY AND MUST NOT BE USED
FOR CONSTRUCTION UNDER ANY CIRCUMSTANCES

ORDNANCE SURVEY OF IRELAND LICENCE NO. EN0000820 © GOVERNMENT OF IRELAND

- FOR SETTING OUT REFER TO ARCHITECT'S DRAWINGS.
- THIS DRAWING TO BE READ IN CONJUNCTION WITH ALL OTHER ARCHITECTURAL AND ENGINEERING DRAWINGS AND ALL OTHER RELEVANT DRAWINGS AND SPECIFICATIONS.
- DO NOT SCALE THIS DRAWING. USE FIGURED DIMENSIONS ONLY.
- NO PART OF THIS DOCUMENT MAY BE REPRODUCED OR TRANSMITTED IN ANY FORM OR STORED IN ANY RETRIEVAL SYSTEM OF ANY NATURE WITHOUT THE WRITTEN PERMISSION OF O'CONNOR SUTTON CRONIN AS COPYRIGHT HOLDER EXCEPT AS AGREED FOR USE ON THE PROJECT FOR WHICH THE DOCUMENT WAS ORIGINALLY ISSUED.

Rev No.	Date	Revision Note	Drn by	Chkd by
P01	14.01.20	SUITABLE FOR PLANNING	SD	MK
C01	23.06.20	ISSUED FOR PLANNING	RP	MK
C02	25.09.20	ISSUED FOR PLANNING	AB	MK

Rev No.	Date	Revision Note	Drn by	Chkd by



Head Office,
9 Prussia Street,
Dublin 7,
D07 KT57

TEL +353 (0)1 8682000
e: contactus@ocsc.ie
w: www.ocsc.ie



Dublin | London | Belfast | Galway | Cork

Client: **BURKEWAY HOMES LTD**
Project: **RESIDENTIAL DEVELOPMENT AT BEARNA**
Title: **DRAINAGE DETAILS SHEET 02 OF 05**

Code | Originator | Zone | Level | Role | Type | Number | Status | Revision
B861 · OCSC · XX · XX · DR · C · 0521 · **A1** · **C02**
Date: 14.01.20 Scale: SHOWN @ A1 Drn by: SD Chkd by: MK Aprvd by: AH